

**INTERCHANGE UNIT**  
**(Machine Code: B300/B416)**

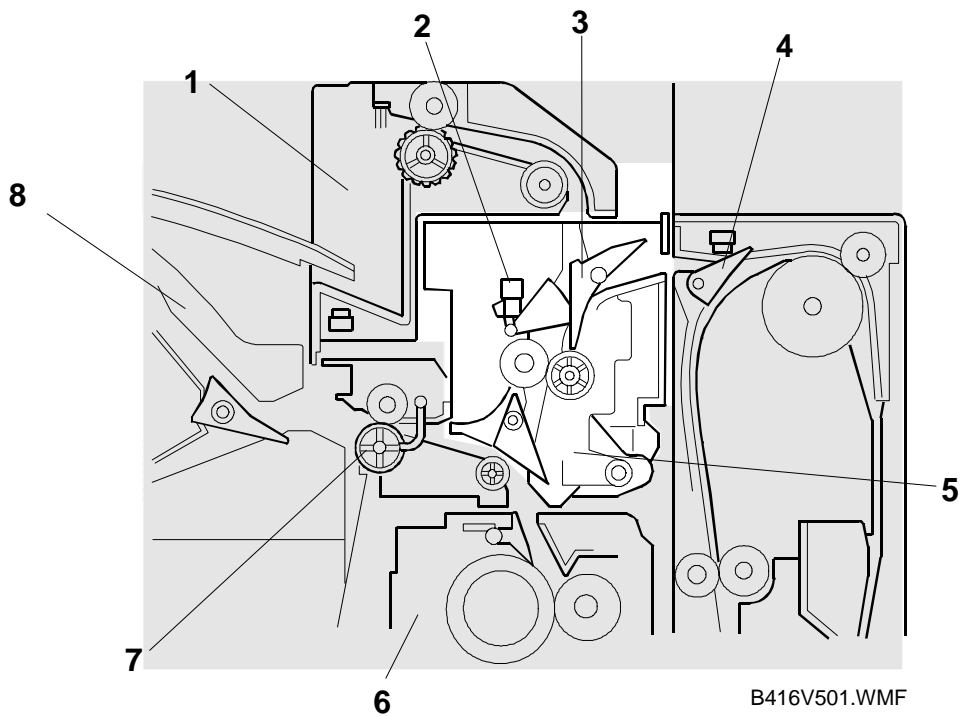
---

# 1. OVERALL MACHINE INFORMATION

## 1.1 SPECIFICATIONS

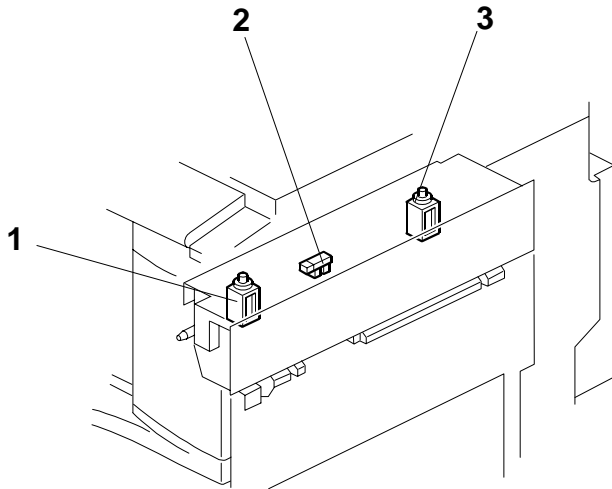
Paper Size:	Standard sizes A6 lengthwise to A3 HLT to DLT Non-standard sizes Width: 100 to 305 mm Length: 148 to 432 mm
Paper Weight:	52 g/m <sup>2</sup> ~ 135 g/m <sup>2</sup> , 16 lb ~ 36 lb
Power Consumption:	15 W
Dimensions (W x D x H):	117 x 447 x 92 mm
Weight:	1.6 kg

## 1.2 MECHANICAL COMPONENT LAYOUT

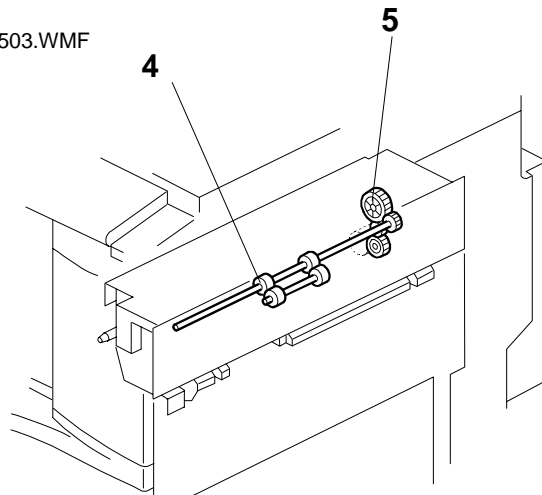


1. 1-bin Tray (Option)
2. Exit Sensor
3. Duplex Junction Gate
4. Duplex Unit (Option)
5. Exit Junction Gate
6. Fusing Unit (Inside the Copier)
7. Exit Roller
8. Bridge Unit

### 1.3 DRIVE LAYOUT



B416V503.WMF



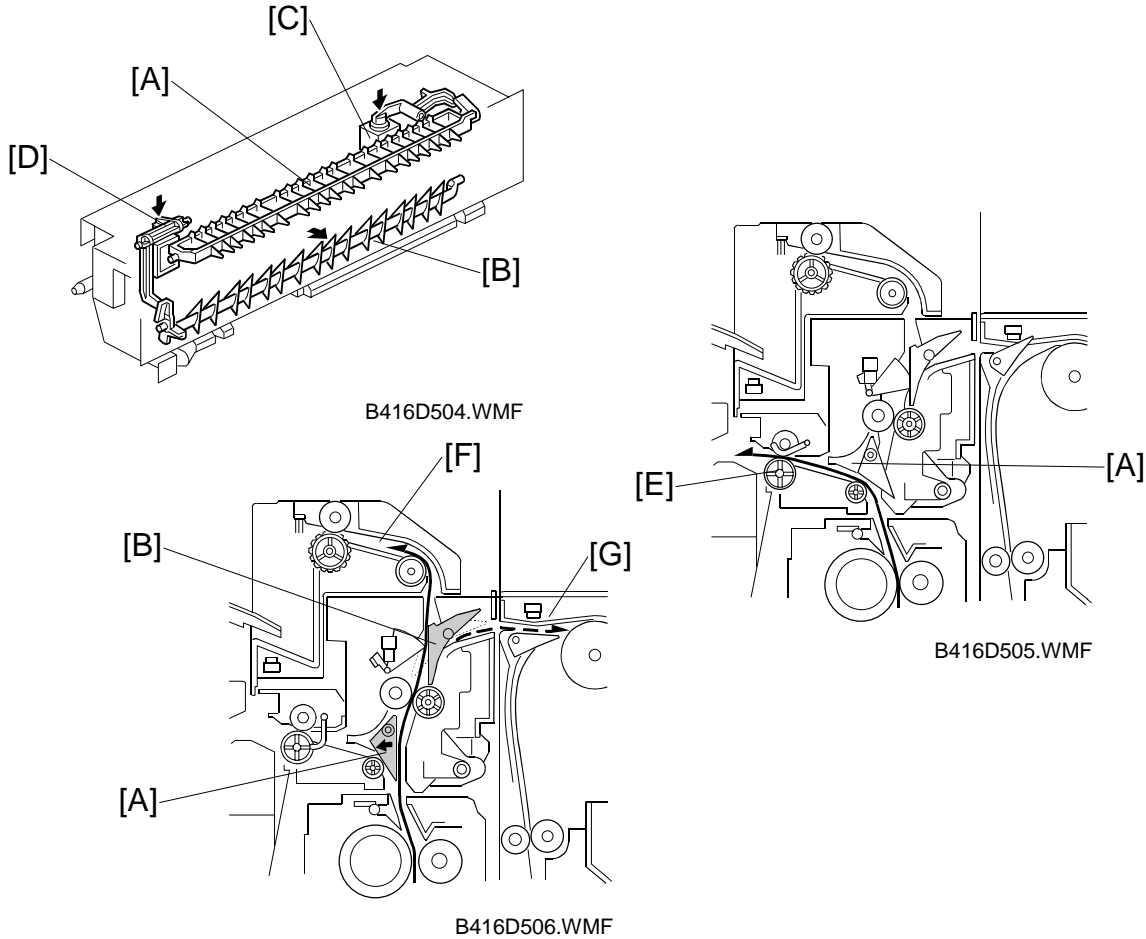
B416V504.WMF

- 1. Exit Junction Gate Solenoid
- 2. Exit Sensor
- 3. Duplex Junction Gate Solenoid
- 4. Exit Roller
- 5. Drive Gear

Options

## 2. DETAILED DESCRIPTION

### 2.1 JUNCTION GATE MECHANISM



Depending on the selected mode, the copies are directed up, left, or right by the exit junction gate [A] and the duplex junction gate [B]. These are controlled by the exit junction gate solenoid [C] and the duplex junction gate solenoid [D].

***To the Exit Tray or Bridge Unit (for the Upper Tray on top of the Bridge Unit, or the Finisher)***

The exit junction gate solenoid stays off and the paper is directed to the copier exit unit [E].

***To the 1-bin Tray***

The exit junction gate solenoid turns on and the duplex junction gate solenoid stays off. The paper is directed to the 1-bin tray [F].

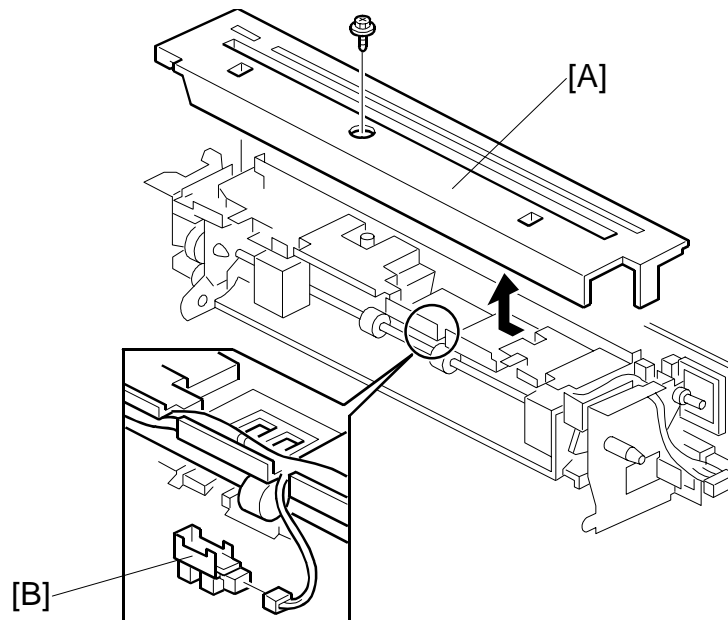
***To the Duplex Unit***

The exit junction gate solenoid and the duplex junction gate solenoid both turn on and the paper is directed to the duplex unit [G].

---

## 3. REPLACEMENT AND ADJUSTMENT

### 3.1 EXIT SENSOR REPLACEMENT



B416R501.WMF

1. Remove the interchange unit.
2. Remove the upper cover [A] of the interchange unit.
3. Remove the exit sensor [B] (1 connector).